

CHASING

CHASING TRITECH GEMINI 720IM Sonar Kit

Accessory specially designed
for use with M2 PRO ROV.



www.chasing.com

The CHASING TRITECH GEMINI 720IM Sonar Kit is a component tailored for the CHASING M2 PRO and Trittech Gemini 720im image sonar devices, which can be connected to the computer using image sonar via the RC3 (remote controller 3)/control box, gives you a more professional experience.



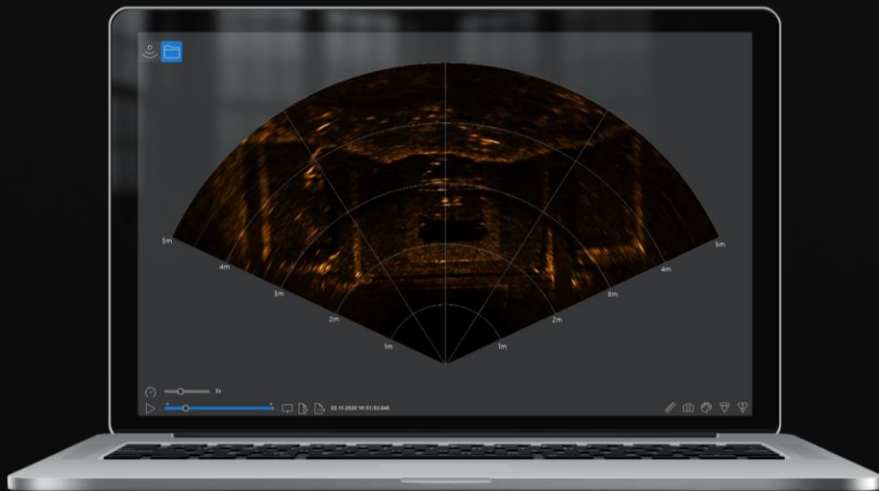
Two buoyancy modules, providing effective buoyancy

The CHASING TRITECH GEMINI 720IM Sonar Kit comes with two buoyancy modules to provide effective buoyancy for the sonar.



Double-headed connection cable for real-time data transmission

The CHASINGTRITECH GEMINI 720IM Sonar Kit comes with a double-headed connection cable to transfer data collected by the sonar to your mobile phone or computer in real time.

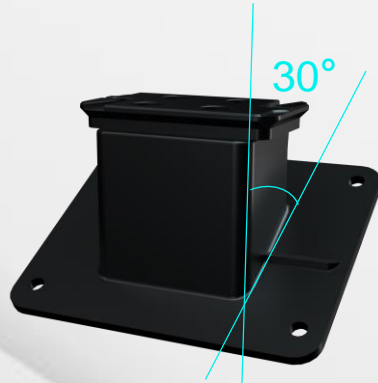


Two mounting bases for your convenience

The CHASING TRITECH GEMINI 720IM Sonar Kit comes with two mounting bases. A flat mounting base is used to mount a single image sonar, while the 30° mount holder is used when mounting multiple accessories on CHASING M2 PRO at the same time, to provide more mounting space for other accessories.



• Horizontal Mount Assembly



• Tilted Mounting Support (30°)



30°

Product Parameter

CHASING TRITECH GEMINI 720IM KIT		
Horizontal Mount Assembly	Size	218 * 95 * 137 mm
	Weight	540 g
	Structural Material	Anodized Aluminum Alloy
	Pressure Resistance Depth	150 m
Tilted Mounting Support (30°)	Size	27.3 * 25 * 30.2 mm
	Weight	210 g
	Structural Material	Anodized Aluminum Alloy
	Pressure Resistance Depth	150 m
Double-headed connection cable	Size	Φ9 mm * 450 mm

CHASING

CHASING TRITECH GEMINI 720IM Sonar Kit



www.chasing.com