

CHASING

CHASING PING 360 SONAR KIT

360-degree scanning, cost-effective solution

| CHASING M2 PRO and CHASING M2 PRO MAX



CHASING PING 360 SONAR KIT

is designed exclusively for CHASING M2 PRO and M2 PRO MAX. CHASING PING 360 SONAR KIT is a mechanical scanning sonar for navigation and imaging in low-visibility water conditions, and also be used for applications such as inspection, obstacle avoidance, target location and tracking. It can realize a 360-degree scanning with high-resolution imaging, has a 50 meter (165 foot) range, 300 meter (984 foot) depth rating, and an open-source software interface that makes it a capable tool for ROV underwater acoustic imaging.



Multifunctional in low-visibility waters

CHASING PING 360 SONAR KIT is capable of scanning in low-visibility water conditions, navigating for ROV and avoiding obstacles, targeting location and tracking which make it widely applicable in different industries.



Obstacle avoiding



Location targeting



Navigation



Inspection

360-degree scanning, High-resolution imaging

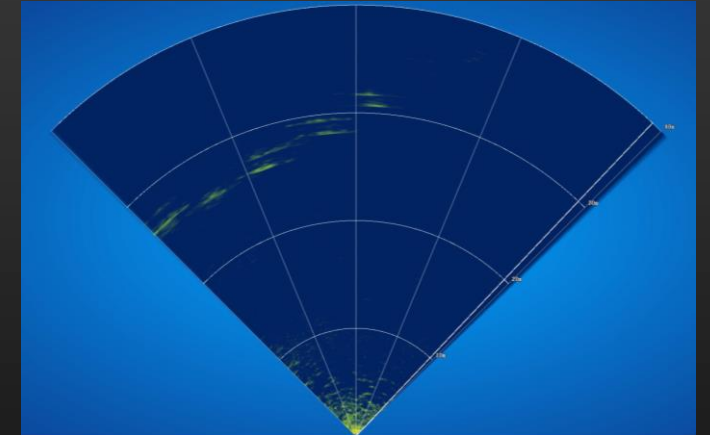
CHASING PING 360 SONAR KIT performs a full 360-degree scan of its surroundings. The scanning range is from 0.75m(2.5ft) to 50m(165ft), a resolution of 0.08% of range, providing a top-down view of the underwater environment which enables it to produce detailed images of underwater objects.



360 degree scan



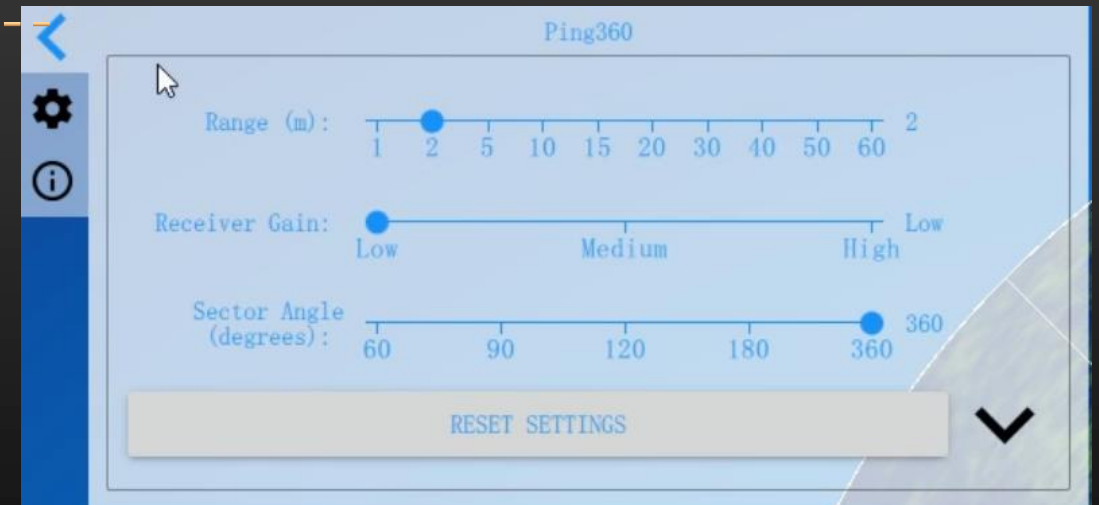
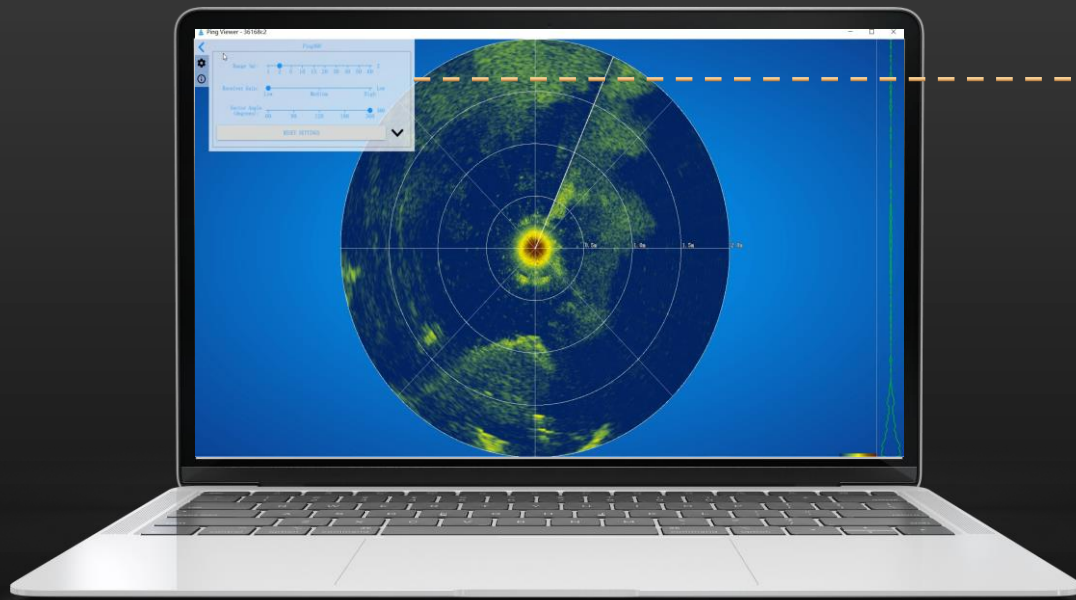
Real picture



Sonar scan map

Open-source software to suit specific application needs, Widely applied in multiple scenarios

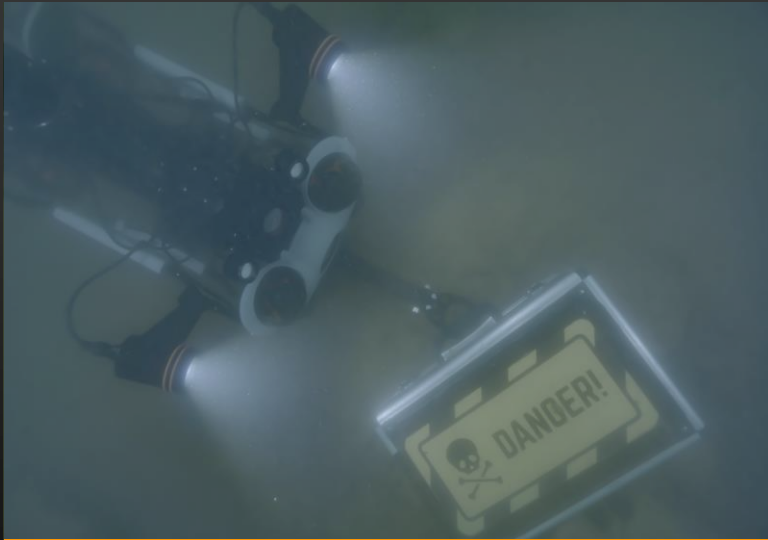
CHASING PING 360 SONAR KIT connecting to the open source Ping-Viewer application for control and data display, can be customized to suit specific application needs, making it a cost-effective solution for underwater imaging.



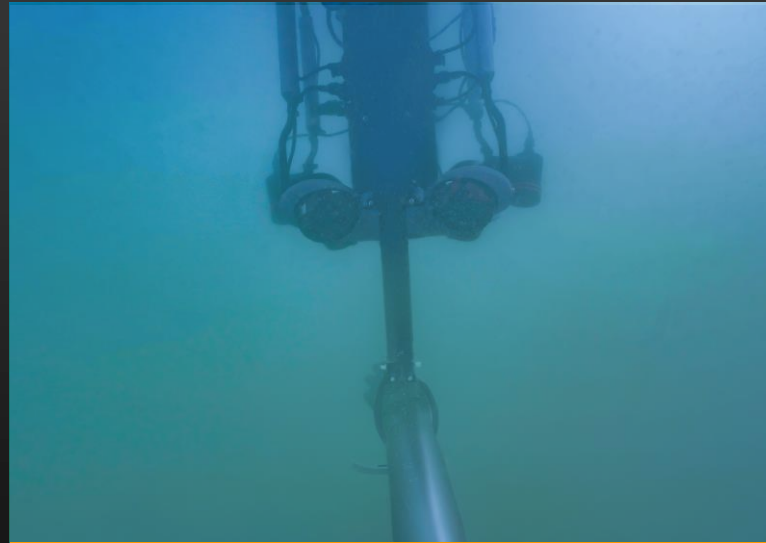
Customization

Open-source software to suit specific application needs, Widely applied in multiple scenarios

It is widely applied in underwater emergency rescue, scientific research and exploration, security inspection, etc.



Security inspection

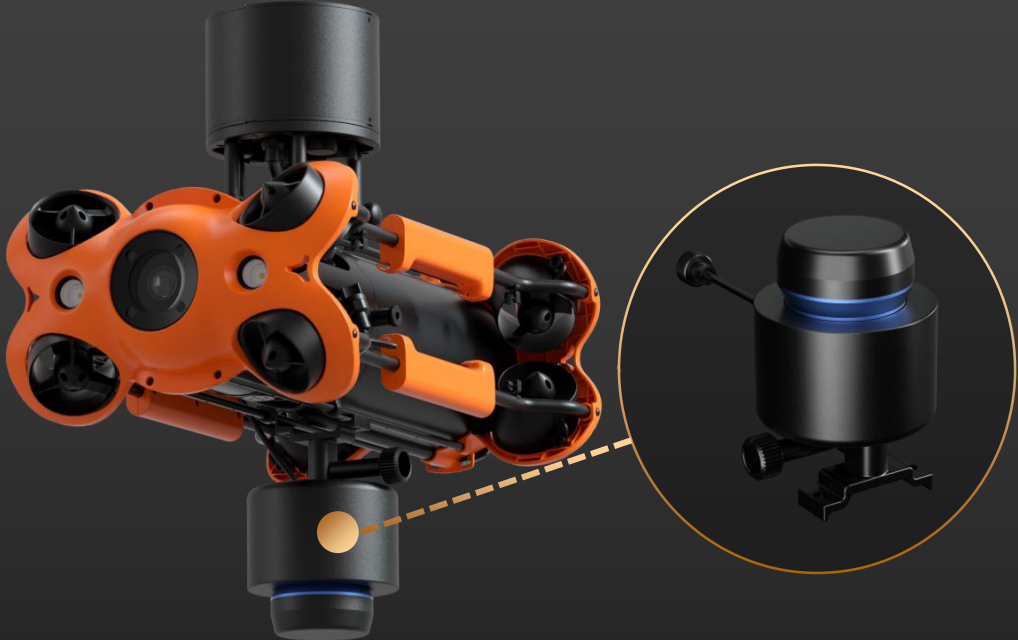


Underwater emergency rescue

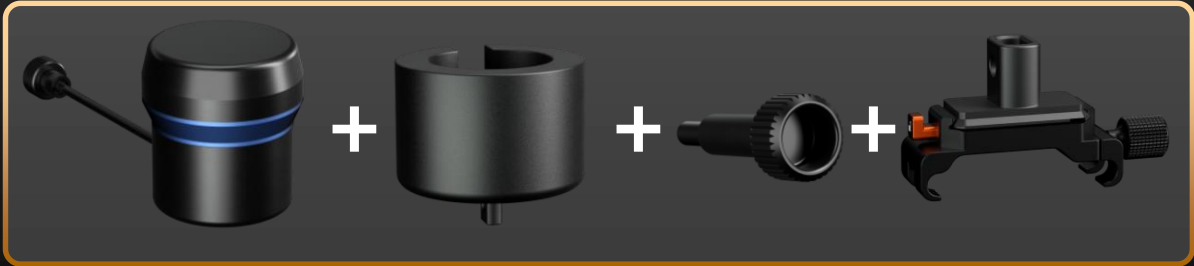
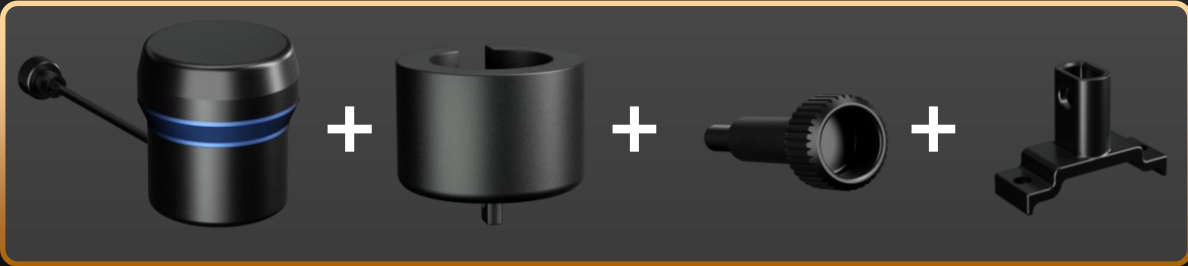


Scientific research and exploration

Four choices to suit varied needs



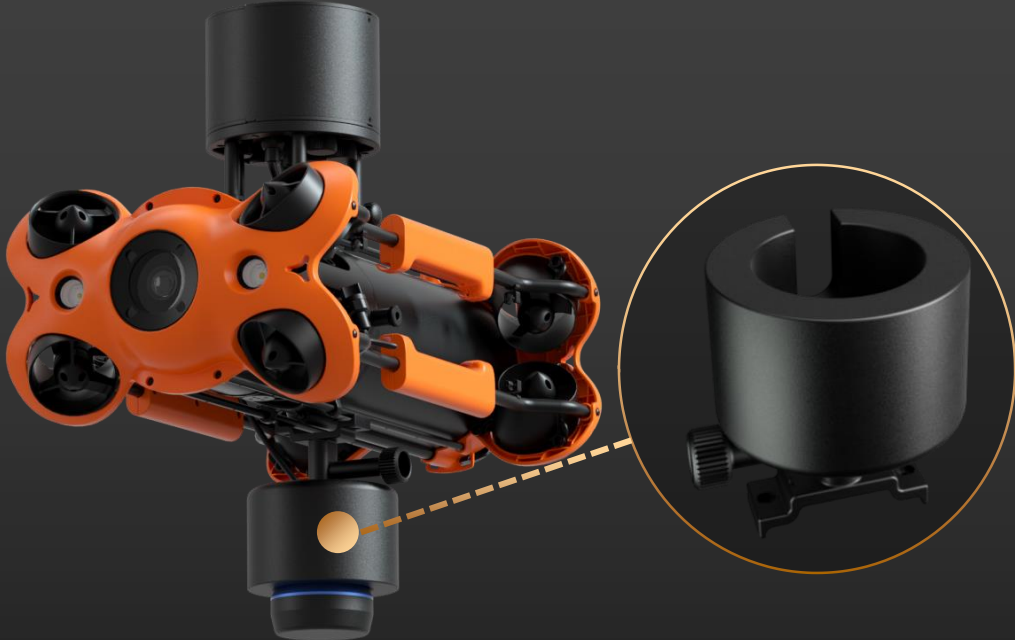
*Sonar can be mounted on top or bottom



CHASING PING 360 SONAR KIT (M2 PRO) (Include Sonar)

CHASING PING 360 SONAR KIT (PRO MAX) (Include Sonar)

Four choices to suit varied needs



*Sonar can be mounted on top or bottom



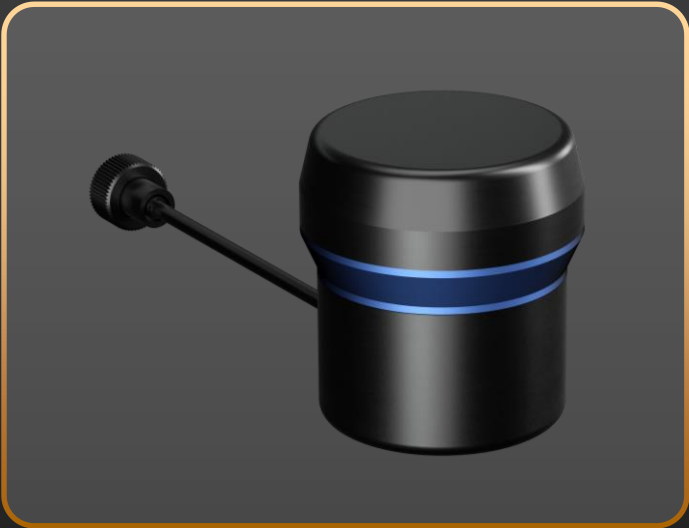
CHASING PING 360_PRO Self-Assembly Kit* (Exclude Sonar)



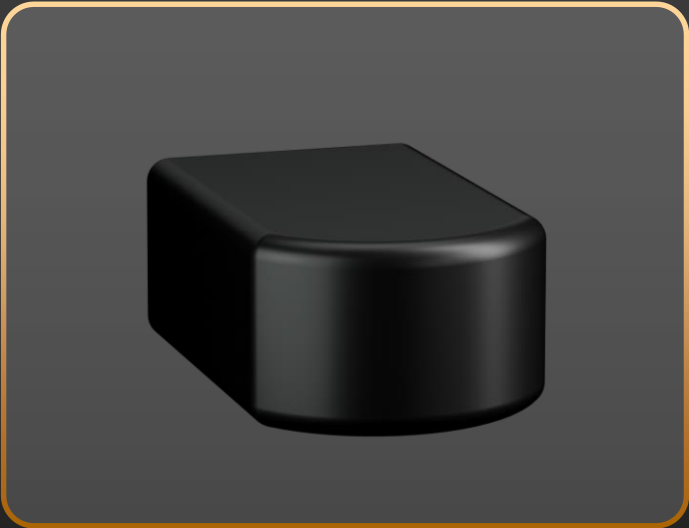
CHASING PING 360_PRO MAX Self-Assembly Kit* (Exclude Sonar)

*For users who possess PING 360 Sonar

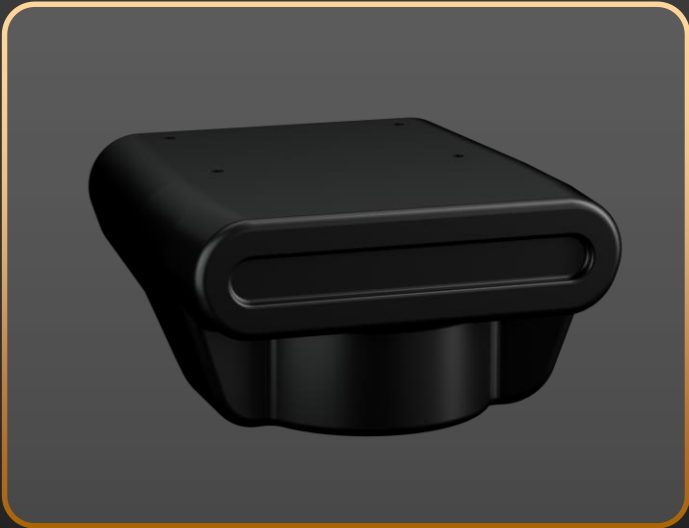
Cost-effective underwater imaging solution



Ping360 Scanning Imaging Sonar



TRITECH GEMINI Sonar



BLUEPRINT OCULUS Sonar



Product parameters

Device		
Electrical	Supply Voltage	11-25 V
	Maximum Power Consumption	5 W
Acoustics	Frequency	750 kHz
	Beamwidth - Horizontal	2°
	Beamwidth - Vertical	25°
	Minimum Range	0.75 m(2.5ft)
	Maximum Range	50 m(165ft)
	Range Resolution	0.08% of range
	Range Resolution at 50m	4.1 cm (1.61 inch)
	Range Resolution at 2m	1.6 mm (0.06 inch)
	Mechanical Resolution	0.9°
	Scanned Sector	Variable up to 360°
	Scan Speed at 2 m	9 sec / 360°*
	Scan Speed at 50 m	35 sec / 360°*
	Continuous 360 degree scan?	Yes
	Mounting Angle Offset?	Yes
	* These values are projected to improve through software optimization.	
physical	Pressure Rating	300 m (984 ft)
	Temperature Range	0-30°C (32-86°F)

Mounting Bracket	
Volume	116*104*158mm (M2 PRO) 124*104*167mm (M2 PRO MAX)
Weight	705.3g (M2 PRO) 763.3g (M2 PRO MAX)
Structure Materials	Aluminum alloy + foam PVC buoyancy
Pressure Rating	300 m (984inch)

CHASING

CHASING PING 360 SONAR KIT

360-degree scanning, cost-effective solution



www.chasing.com