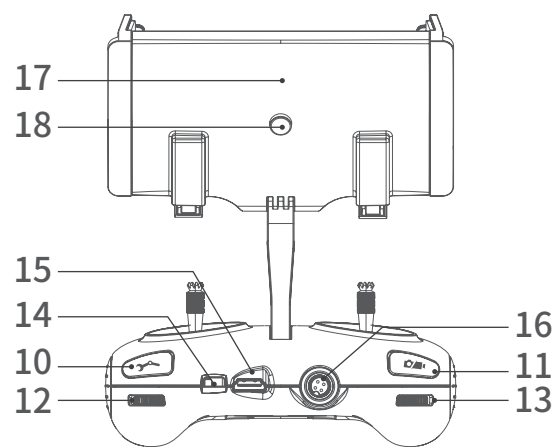
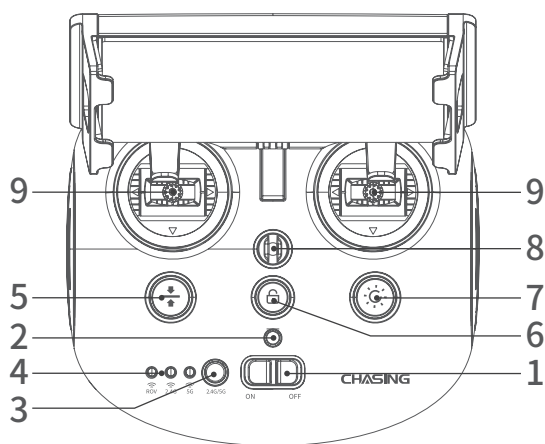


# CHASING Remote Controller 3

## Manual V1.0

The CHASING Remote Controller 3 had integrated communication and control. It connects directly to the drone via the included tether and connects wirelessly to your mobile phone/tablet via Wi-Fi. And your mobile phone/tablet also can be directly connected to the remote control through the Type-C cable. It allows the drone to display a live video feed on your phone/tablet, which enables users to control the drone in real-time. The remote controller's HDMI output can also be used to display a live video feed to a larger screen.



1. Power switch: Turns controller on/off
2. Power Indicator: Green (High power), Blue (Medium power), Red (Low power)
3. Wi-Fi switch button: Short press to switch 5Ghz/2.4Ghz Wi-Fi
4. Signal Indicator:  
2.4G : 2.4Ghz Wi-Fi indicator, always on when working  
5G: 5Ghz Wi-Fi indicator, always on when working  
ROV(drone): Indicates the communication status between the controller and the drone (Steady light indicates successful connection; Blinking light indicates disconnection.)
5. One-key reset: Short press to reposition the ROV return to a horizontal state/  
Long press to switch control mode
6. Unlock: Unlock/Lock, current state of the Thruster will show on the App
7. Led Control: On/off led light (0%50%100%)
8. Safety Buckle: Can be used with a safety rope to prevent the remote control from falling
9. Control Sticks: Used to control the navigation of the ROV
10. Robotic Arm Control: Short press to close and stop, long press for one second to open
11. Photo/Video: Short press to take photos, long press to start / end recording video
12. Right Angel Adjustment: Adjust the rollover angle
13. Left Angel Adjustment: Adjust the pitch angle
14. Type-c Port: Direct connection with mobile phone/tablet device
15. HDMI Socket: 1080P HD image real-time output
16. Tether Connection Socket/Charging socket
17. Phone/Tablet Clamp: Used to attach phone/tablet mount to mounting bracket
18. Clamp Button: Pull apart the two ends and put in the phone/tablet, then press this button to tighten

# Handle indicators introduction

## Battery:

Red: 10% ↓ Red light flashes quickly; 10-29% Red light always on.

Blue: 30-69% Blue light always on;

Green: 70-100% Green light always on;

## Signal Indicator:

2.4G: 2.4Ghz Wi-Fi indicator, always on when working.

5G: 5Ghz Wi-Fi indicator, always on when working.

ROV: Indicates the communication status between the controller and the ROV (Steady light indicates successful connection, Blinking light indicates disconnection.)

**Gesture back Button:** The blue light is always on when the ROV is in a non-horizontal position

## Unlock Button:

Locking: No lights; Unlocking: Blue light on

## Led Control Button:

Bright light: Blue light always on; Low light: Blue light flash; No light: Blue light off.

# Connection

## ① Start (turn on) the ROV

- Please first connect the remote controller with the ROV through the tether.
- Turn on the remote controller power button.
- A few seconds later, the remote controller's indicator lights up, 5G or 2.4G light will be always on. And the ROV sounds tow self-test sounds.

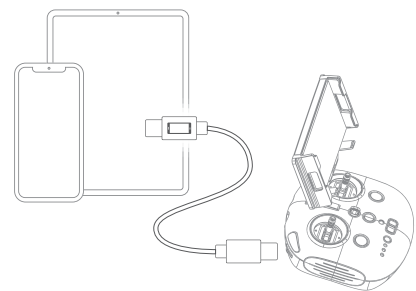
## ② Connect remote controller to your phone/tablet

### Method 1: USB Direct Cable Connection

Choose an appropriate remote controller cable based on the type of mobile device. A Lightning connector cable, micro USB cable, and TYPE-C cable are included in the packaging. Connect the end of the cable with the mobile phone logo to the mobile device.

#### Note:

- \* It is recommended to use this kind of way to connect mobile phone/tablet and remote controller.
- \* For iOS users, select "Auto" for IP address configuration.
- \* If the Android device has a "USB OTG" switch, you need to turn it on.
- \* If the connection fails, please try to turn off your phone's Wi-Fi and mobile network. If still fails, it may be a phone/tablet compatibility problem. Please select method 2 : Wi-Fi connection.
- \* The remote controller type-c port and attached remote controller cables do not support charging.



## Method 2: Wi-Fi Connection

- On the Phone/Tablet, go to Wi-Fi settings.
- Wait for 5-10 seconds and the Chasing\_XXXX network will appear as an option.
- Click to connect and enter the Wi-Fi password: 12345678



## Charging Guidance

The CHASING Remote Controller 3 supports 12.6V 3A, 25.2V 2.9A and 25.2V 8A chargers for charging. Red light indicates Charging, green light indicates fully charged. Please disconnect the charger in time after charging is completed. Please unplug the charger after charging.

## Notices

1. You need to turn on the remote controller to check the battery indicator when charging.
2. Do not put the remote controller in the water to avoid damaging the device.
3. Remote controller bracket, remote controller water damage or appearance damage is out of warranty.

## Specifications

Size	160*155*125mm	Wireless	Wi-Fi
Weight	685g	HDMI	1080P
Battery capacity	2500mAh	TYPE-C	USB communication
Battery life	≥6H (Depend on working condition)	Charging time	12.6V 1h 25.2V 2h

\* **Note:** Charging time varies by environmental factors, actual results will vary.

# CHASING

www.chasing.com  
support@chasing-innovation.com

---

This content is subject to change without prior notice,  
you could have the latest user manual by the  
[www.chasing.com](http://www.chasing.com).